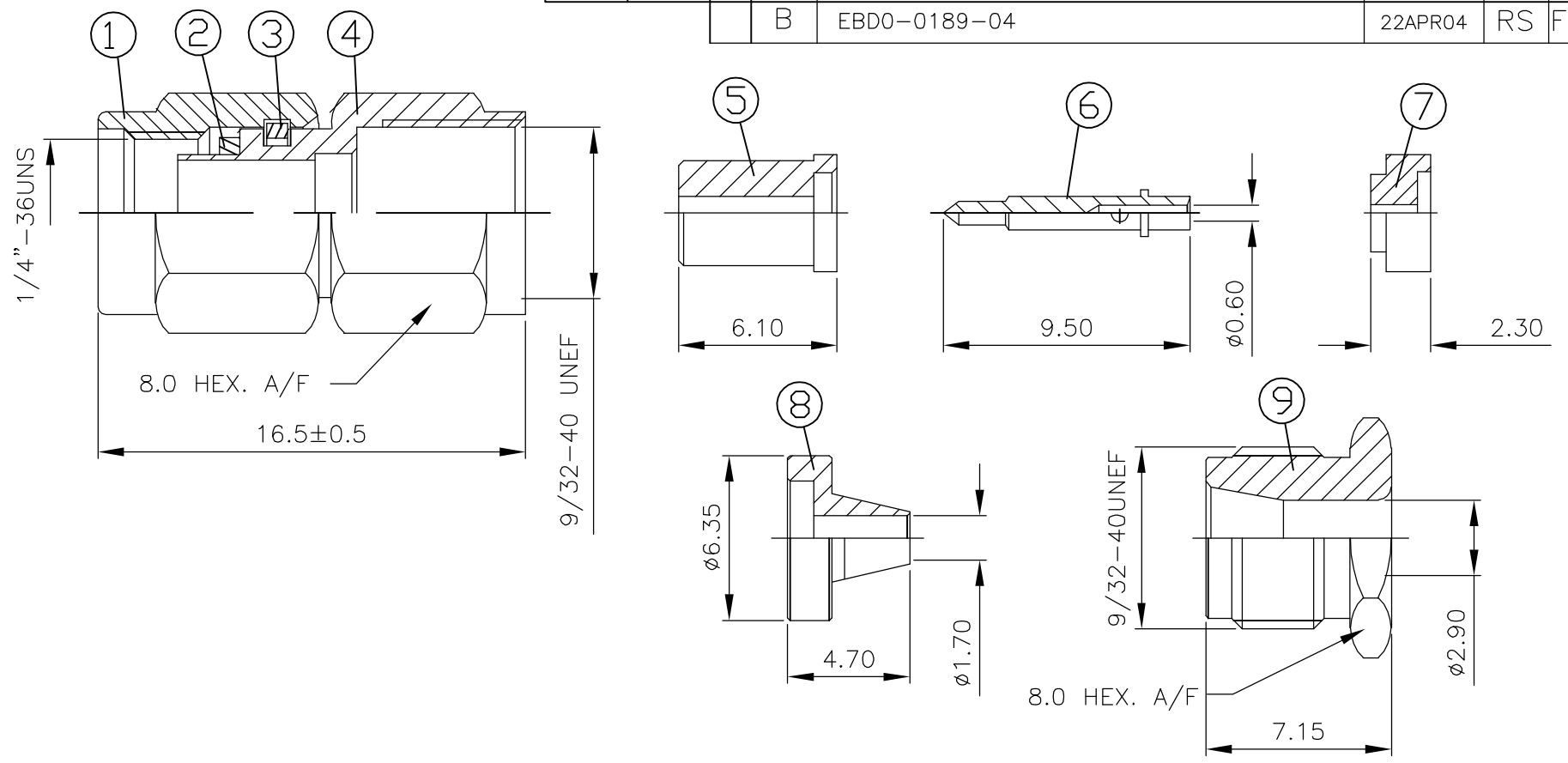


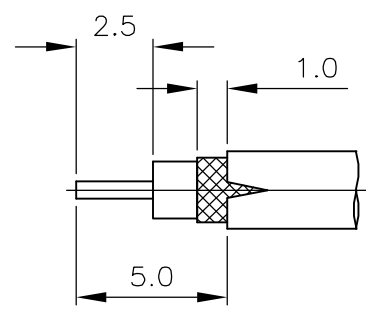
THIS DRAWING IS UNPUBLISHED. RELEASED FOR PUBLICATION APRIL, 2004.
 © COPYRIGHT 2004 BY TYCO ELECTRONICS CORPORATION. ALL RIGHTS RESERVED.

LOC	DIST	REVISIONS					
E	B	P	LTR	DESCRIPTION	DATE	DWN	APVD
		B		EBD0-0189-04	22APR04	RS	FWK

- NOTES:
- 1 SINGLE PACK IN ACCORDANCE WITH SPEC 107-3275
 - 2 100 TRAY PACK IN ACCORDANCE WITH SPEC 107-3275
 - 3 0.08µm Au PLATING OVER 1.27µm Ni PLATING
 - 4 0.76µm Au PLATING OVER 1.27µm Ni PLATING OVER 0.76µm Cu PLATING
 - 5 PASSIVATED
 - 6 FOR TECHNICAL DATA REFER TO YOUR LOCAL TYCO ELECTRONICS SALES OFFICE
 - 7 ALL DIMENSIONS ARE NOMINAL FOR REFERENCE ONLY UNLESS OTHERWISE STATED



RECOMMENDED CABLE STRIPPING DIM'S



				1	1	-	-	STAINLESS STEEL	5	NUT	9
				-	-	1	1	STAINLESS STEEL	3	NUT	9
				1	1	-	-	STAINLESS STEEL	5	CLAMP	8
				-	-	1	1	STAINLESS STEEL	3	CLAMP	8
				1	1	1	1	PTFE		INSULATOR 2	7
				1	1	1	1	BRASS	4	CENTER CONTACT	6
				1	1	1	1	PTFE		INSULATOR 1	5
				1	1	-	-	STAINLESS STEEL	5	BODY	4
				-	-	1	1	STAINLESS STEEL	3	BODY	4
				1	1	1	1	STAINLESS STEEL		CIRCLIP	3
				1	1	1	1	SILICONE		GASKET	2
				1	1	-	-	STAINLESS STEEL	5	SHELL	1
				-	-	1	1	STAINLESS STEEL	3	SHELL	1
				2--1	2--0	1--1	1--0	MATERIAL		DESCRIPTION	ITEM
				2	1	2	1				

THIS DRAWING IS A CONTROLLED DOCUMENT.		DWN R.SMITH 10FEB04	Tyco Electronics Corporation Bideford, UK, EX39 4HE	
DIMENSIONS: mm		CHK S.PARLOW 10FEB04		
TOLERANCES UNLESS OTHERWISE SPECIFIED:		APVD F.WHEELER-KING 10FEB04	NAME SMA STRAIGHT PLUG, JACK SOLDER PIN, CLAMP ATTACHMENT	
0 PLC ± -		PRODUCT SPEC 108-3460	RG188A/U, 316/U, RG174A/U, URM95, KX3B, KX22A	
1 PLC ± -		APPLICATION SPEC 411-3276	SIZE A3	CAGE CODE 00779
2 PLC ± -		WEIGHT -	DRAWING NO C-1478908	
3 PLC ± -		MATERIAL SEE TABLE	RESTRICTED TO -	
4 PLC ± -			SCALE 1:1	
ANGLES ± -		SHEET 1 OF 1		REV B
FINISH -		CUSTOMER DRAWING		